

## EVC

Perfect communication for emergency situations



The Emergency Voice Communication solution from Commend.



EE 380 - LED Buttons



BS 5839 Pt 9 Compliant Stations

## FEATURES AND BENEFITS

- Compliant to BS 5839 pt 9\* and relevant parts of BS 9999
- Digital 2-wire technology
- Crystal clear speech quality up to 16 kHz for optimum intelligibility
- Speak / Listen function as standard
- Acoustic monitoring of microphones and speakers
- Electronic fault monitoring of hardware and cabling
- Adjustable microphone sensitivity
- Available in both type 'A' (handset) and type 'B' (hands-free) outstations as per BS 5839 pt 9
- Highly visible intercom stations to DDA standards
- Master Stations with tri-colour LED buttons or LCD display
- Connection for suitable Induction Loop Amplifiers

\* Note: the equipment is supplied to BS 5839 pt 9, it must be installed and commissioned as per the standard by others.



SECURITY AND COMMUNICATION



Instant communication in an emergency

## EMERGENCY VOICE COMMUNICATION

Commend Emergency Voice Communication (EVC) systems have been specifically configured to meet the requirements of all evacuation phases and emergency communication needs, specifically as detailed in BS 5839 pt9\* and BS 9999. Extremely high speech quality provides perfect voice communications in the loudest of situations.

The systems' flexibility and modular design make it simple for designers to incorporate options that are required by specifiers and end users.

Systems can be programmed to meet the requirements and interpretations of individual user's emergency procedures ensuring the optimum in system design for each application.

Housings for Refuge stations available as Type 'A' (handset) and Type 'B' (hands-free) which can be mixed on the one system. A Star cable structure achieves maximum possible reliability.

Disabled Toilet communication solutions can be added to a Refuge solution, or be supplied as a stand alone package.

Emergency Voice Communication

## MASTER STATIONS

### EE 380CS

A modular Desktop Master Station, ideal for handling from 12 to 48 outstations (types 'A' or 'B'). It comes with tri-colour LED buttons for each connected outstation. This gives the user an immediate overview of the system at a single glance. Available as flush, surface or desk mount versions (see datasheet EE 380CS for more information). Additional Master Stations can be added as required, working as repeaters or for zoned systems.

**Typical applications:** As a Master Station for any Emergency Voice Communication system.

W 330 mm, H 55 mm, D 230 mm 2040 g Black, translucent blue



### MF 199DR

Flush mounted Master Station, ideal for large and small solutions where space is an absolute premium. An unlimited number of outstations can be connected to the MF 199DR. The 8-row, 14-character alphanumeric display provides a full index of all connected stations, which can be scrolled to view and select calls, and view statuses such as fault indication. Also available as a surface mount unit - MS 199DR

**Typical applications:** As a Master Station for any Emergency Voice Communication system.

W 220 mm, H 170 mm, D 42 mm 1,500 g Stainless Steel



### COMWIN EVC

Graphic User Interface (GUI) software package, ideal for very large systems. An unlimited number of intercom stations may be handled by this Master Station. Provision of multi-coloured button icons means that the status of each outstation is easily identifiable. Full event logging is included, and is designed to run on a suitable PC that meets the standard.

**Typical applications:** As a Master Station for any Emergency Voice Communication system.

Custom Stainless Steel



Emergency Voice Communication

## OUTSTATIONS

### SS 403D

This is a 4-wire digital, highly visible telephone type help point (type 'A' housing). Available as both flush and surface mount units. Both the microphone and loudspeaker are acoustically monitored back to the Master Station. Magnetic door locks ensure security until activated by the fire alarm or authorised personnel. Lifting the handset puts a call to the Master Stations. 'Loudspeak' and 'Listen' functions are included as standard. Visual call indicator and tamper alarm available as an option.

**Typical applications:** As an Outstation for an Emergency Voice Communication System.

W 324 mm, H 174 mm, D 150 (top) to 125 mm 5,000 g Red: RAL 3020



### SF 401D

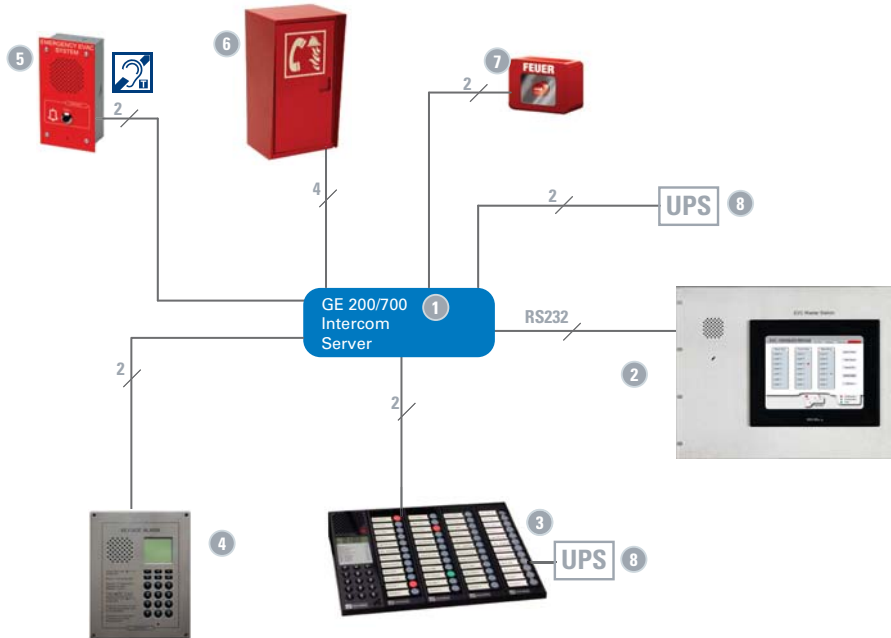
This is a 2-wire digital, highly visible intercom help point (type 'B' housing). Also available as a surface mount unit: SS 401D. High quality full duplex speech is possible in areas of up to 70dB of ambient noise. Both the microphone and loudspeaker are acoustically monitored with a fault being raised at the Master Station. It is possible for the unit to be operational only when activated by the Fire Alarm or authorised personnel. 'Loudspeak' and 'Listen' functionality is available as standard. Visual call indicator and tamper alarm available as an option.  
**Typical applications:** As an Outstation for any Emergency Voice Communication system.

W 130, H 212 mm, D 65 mm 2,000 g Red: RAL 3020



### Emergency Voice Communication

### BS 5839 PT 9 TYPICAL EVC DIAGRAM



Key:

- 1. Intercom Server
- 2. EVC COMWIN GUI
- 3. EVC Master - EE 380 / 48
- 4. EVC Master - MF 199DR
- 5. Stainless Steel Outstation SF 101D with optional ILA
- 6. Red telephone Outstation SS 403DR
- 7. Fire Alarm Monitoring
- 8. UPS Power Supply if no site emergency power

Emergency Voice Communication

**DISABLED REFUGE**

A simple, disabled refuge communication solution for buildings where BS 5839 pt 9 is not required.

This Commend Emergency Communication systems has been specifically configured to meet the requirements of evacuation phases and emergency communication needs.

**GE 100**

The GE100 designed for Disabled Refuge use, has a capacity of up to seven Outstations and one Master. Each Master and Outstation is cabled to the Intercom Server with 4 wires. Pre-programming of the Intercom Server, allows for all Outstations to be easily identifiable on the Master station.

**Typical applications:** As part of an EVC Solution where compliancy to BS 5839 is not required.

W 310 mm, H 210 mm, D 77.5 mm 2,320g White



**EE 420R**

This wall mount Master Station is ideal for handling up to seven Outstations. Manufactured with a reinforced silicone keypad. A 6-digit alphanumeric display enables the user to visually see the pre-defined name of the Outstation calling in. Also available as a desk mount station.

**Typical applications:** As a Master Station for an Emergency Voice Communication system.

W 73 mm, H 232 mm, D 57mm 441g Red



**SF 401**

This analogue, highly visible intercom station (type 'B' housing). Available as both a flush or surface (SS401) mount unit. High quality duplex speech is possible in areas of up to 70dB of ambient noise. It is possible for the unit to be operational only when activated by the Fire Alarm or authorised personnel. It is possible to set up a call from the Master Station to the Outstation to listen for and talk to people who may be unable to get to the station.

**Typical applications:** As an Outstation for any Emergency Voice Communication system,.

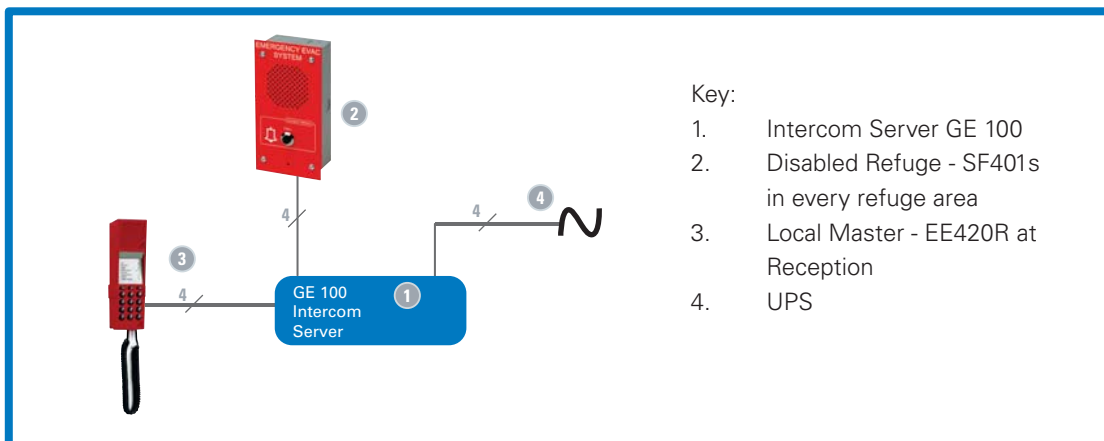
W 130, H 212 mm, D 65 mm 1,500 g Red RAL 3020



\* Note: the equipment is supplied to BS 5839 pt 9, it must be installed and commissioned as per the standard by others.

Emergency Voice Communication

**DISABLED REFUGE TYPICAL DIAGRAM**



Emergency Voice Communication

**DISABLED TOILETS**

In addition to the Disabled Refuge system, a disabled toilet solution, with or without voice can complement the installation, providing peace of mind for all disabled persons within a building. All outstations can

be used for this system, including the SS 201H (see separate data sheet for info).

**PC 001**

Ceiling mounted pull cord - mounted inside the cubicle with a 4m cord with two red, circular handles attached. An in-built visual indicator lights when activated. A single pull activates the Overdoor Indicator and optional sounder, raising both a visual and audible alert locally and at the remote Master Station. The alarm can only be re-set from within the cubicle.

**Typical applications:** Toilets in schools, offices, public buildings and shopping centres.

Diameter: 80 mm, D: 60 mm, L 400 mm 100g Orange & white with red pull cord & handles

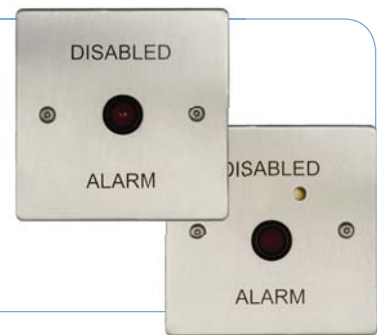


**SG 400 / 400B**

Mounted outside of the toilet cubicle the Overdoor Indicator (ODI) comprises of a visual indicator (version SG 400) and a sounder (version SG 400B). Situated on a stainless steel plate, it is suitable for fitting into a UK single-gang back box. The ODI is activated once the pull cord within the toilet cubicle is used, and can only be re-set from within the cubicle.

**Typical applications:** Toilets in schools, offices, public buildings and shopping centres.

W 85 mm, H 85 mm, D 50 mm 100 g Stainless Steel



**SG 401**

Mounted within the toilet cubicle the Reset Panel comprises of a single button mounted on a stainless steel plate suitable for fitting into a UK single-gang back box (min. 50mm deep) Pressing the button re-sets the ODI and the audible and visual indicator on the remote Master Station if used.

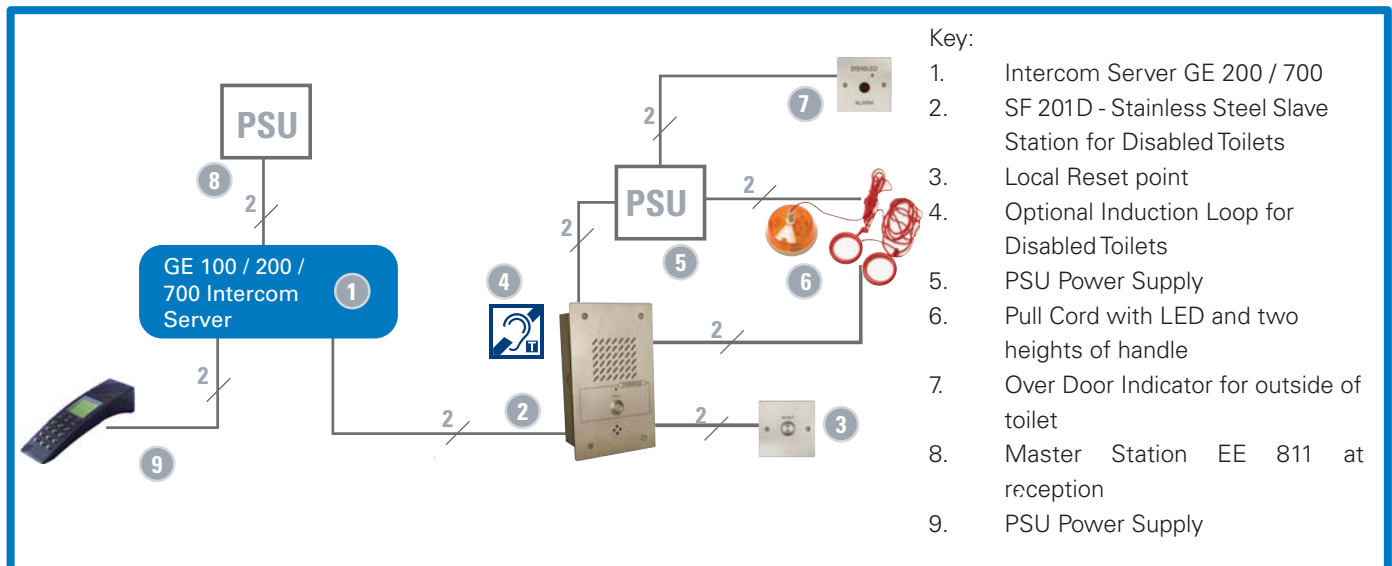
**Typical applications:** Toilets in schools, offices, public buildings and shopping centres.

W 85 mm, H 85 mm, D 50 mm 100 g Stainless Steel

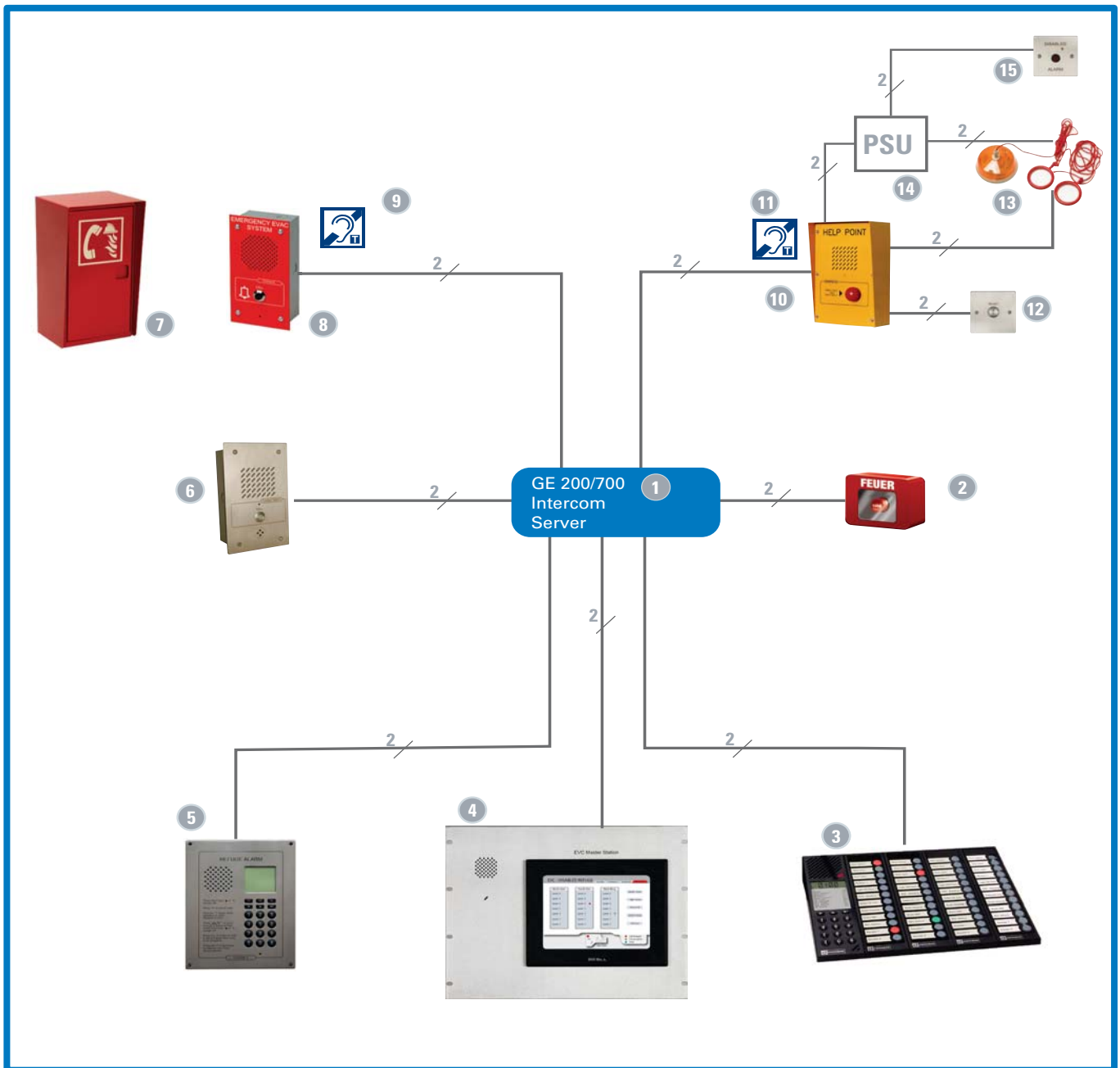


Emergency Voice Communication

**DISABLED TOILETS COMMUNICATION DIAGRAM**



**INTEGRATION DIAGRAM FOR DISABLED REFUGE AND TOILETS**



Key:

- |   |  |
|---|--|
| <ul style="list-style-type: none"> <li>1. Intercom Server GE 200 / 700</li> <li>2. Fire Alarm</li> <li>3. EE 380 / 48 - Tri-colour LED operating Master Station</li> <li>4. COMWIN screen for complex sites</li> <li>5. MF 199DR - Wall Mount Master Station</li> <li>6. SF 101D - Simple Slave Station for Refuge areas or Disabled Toilets</li> <li>7. SS403D - Handset station for Refuge areas</li> <li>8. SS 401D - Bright red Slave Station for Refuge areas</li> </ul> | <ul style="list-style-type: none"> <li>9. Optional Induction Loop for all Slave Stations</li> <li>10. SF 201D - Bright Yellow Slave Station for Refuge areas, or Disabled Toilets</li> <li>11. Optional Induction Loop for Disabled Toilets</li> <li>12. Local Reset point</li> <li>13. Pull Cord with LED and two heights of handle</li> <li>14. PSU Power Supply</li> <li>15. Over Door Indicator (with optional sounder) for outside of toilet</li> </ul> |
|---|--|

**COMMEND UK LTD**

Park House, Cambridge Road, Harlow, Essex CM20 2EU · UK  
 Tel. 01279 457 510 · Fax 01279 445 453

sales@commend.co.uk · www.commend.co.uk

**Note: PRELIMINARY** | Preliminary Version

We reserve the right to modify product properties and or designs  
 Product info Disabled Refuge and Toilets Version 5.0/1109 | This brochure provides only information of a general nature and cannot form part of a contract. Any information about systems or devices or diagrams provided in this brochure are for illustrative purposes only. This information is the property of Commend UK and cannot be duplicated without written approval from Commend UK Ltd.



SECURITY AND COMMUNICATION